

## Remote Controlled Dream Fairy with Light-up Wings

**WARNING:** Do not look directly into the light source. Doing so can cause serious and irreparable eye damage.

### Parts included:

- Fairy
- Wall Mount
- Wall Mounting Bracket
- Wall Mounting Hardware
- Remote

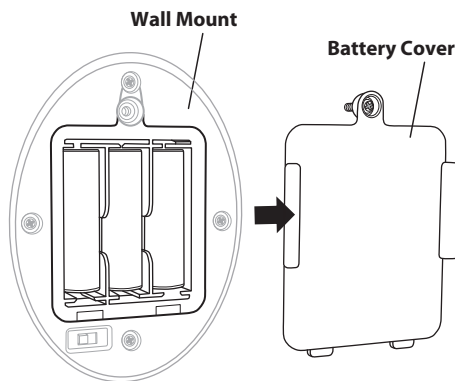
### Battery Installation

Tool required - Small Phillips head screwdriver

Requires 3 "AA" alkaline batteries (not included).

### Wall Mount

1. Using a Phillips head screwdriver, remove the battery cover as shown.
2. Insert 3 "AA" batteries as indicated in the battery compartment and replace cover.



### BATTERY SAFETY INFORMATION

- Batteries are small objects. Batteries must be replaced by an adult.
- Follow the polarity (+/-) diagram in the battery compartment.
- Promptly remove dead batteries from the toy.
- Dispose of used batteries properly.
- Remove batteries for prolonged storage.
- Only batteries of same or equivalent type as recommended are to be used.
- DO NOT incinerate used batteries.
- DO NOT dispose of batteries in fire, as batteries may explode or leak.
- DO NOT mix old and new batteries or types of batteries (i.e. alkaline/standard).
- DO NOT use rechargeable batteries.
- DO NOT recharge non-rechargeable batteries.
- DO NOT short-circuit the supply terminals.

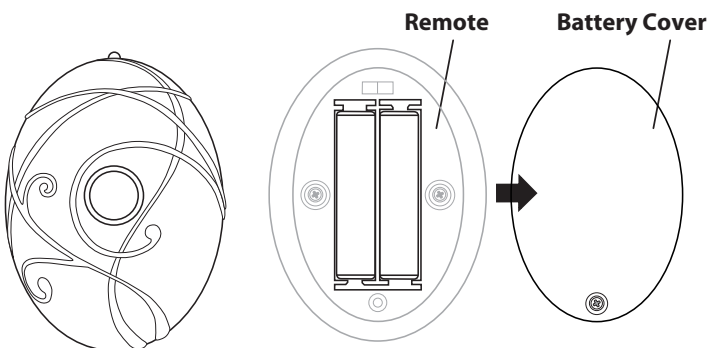
Caution: changes or modifications not expressly approved by the party responsible for compliance could void the user's authority to operate the equipment.

NOTE: This equipment has been tested and found to comply with the limits for a Class B digital device, pursuant to Part 15 of the FCC Rules. These limits are designed to provide reasonable protection against harmful interference in a residential installation. This equipment generates, uses and can radiate radio frequency energy and, if not installed and used in accordance with the instructions, may cause harmful interference to radio communications. However, there is no guarantee that interference will not occur in a particular installation. If this equipment does cause harmful interference to radio or television reception, which can be determined by turning the equipment off and on, the user is encouraged to try to correct the interference by one or more of the following measures:

- Reorient or relocate the receiving antenna.
- Increase the separation between the equipment and receiver.
- Connect the equipment into an outlet on a circuit different from that to which the receiver is connected.
- Consult the dealer or an experienced radio/TV technician for help

### Remote Control

1. Using a Phillips head screwdriver, remove the battery cover as shown.
2. Insert 2 "AAA" batteries as indicated in the battery compartment and replace cover.

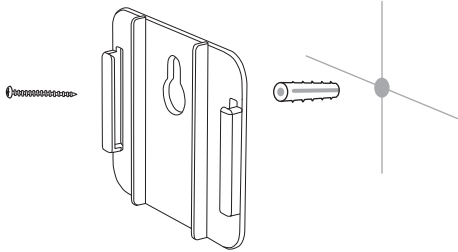


**WARNING:**  
CHOKING HAZARD - Small parts.  
Not for children under 3 years.  
Adult assembly required.

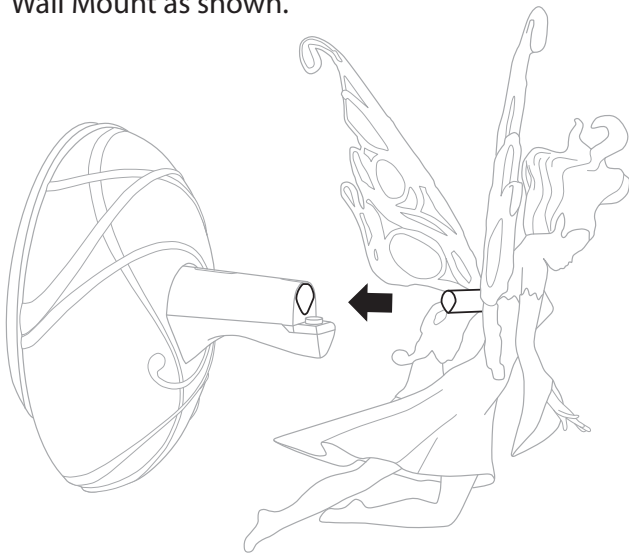
## Wall Installation

**Note:** Product is only intended to mount on a vertical wall.

1. Locate stud in wall or use the wall mounting hardware included to screw the Wall Mounting Bracket to the wall as shown.

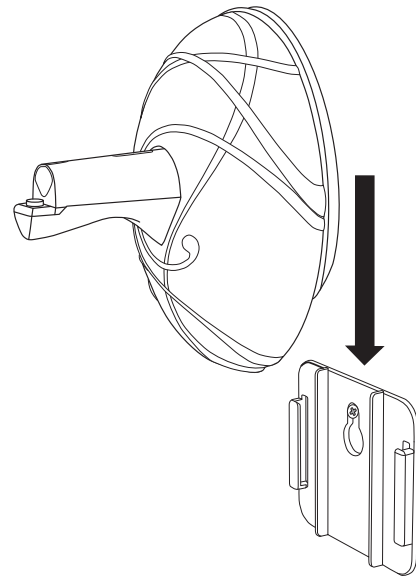


3. Firmly insert the Post on the back of the Fairy into Wall Mount as shown.



**Product must be assembled by an adult. This product contains small parts which are necessary for assembly. Prior to and during assembly of this product, keep small parts out of children's reach. Small parts pose a choking hazard to children under 3 years.**

2. Slide the Wall Mount onto the Wall Mounting Bracket as shown. **Note:** Prior to sliding the Wall Mount on to the Wall Mounting Bracket, make sure the on/off switch located on the back of the Wall Mount is switched to the "ON" position.



## Operation

**IMPORTANT:** The on/off switch located on the back of the Wall Mount must be switched to the "ON" position.

1. Use the Remote control to cycle thru the color modes and select your favorite.
  - Color mode 1 will gradually transition through all 7 colors.
  - Color modes 2-8 are individual colors
2. To turn your Dream Fairy off, press and hold the Remote button.

**Note:** To conserve battery life, your Dream Fairy will turn off automatically after 15 minutes.

**KEEP THESE INSTRUCTIONS FOR FUTURE REFERENCE — DO NOT DISCARD**

Questions? Visit [unclemilton.com](http://unclemilton.com)

**Uncle  
Milton**

MANUFACTURED BY UNCLE MILTON INDUSTRIES, INC.

P.O. Box 6281

THOUSAND OAKS, CA 91359 USA

©2011 UMI. All rights reserved. ® and TM designate trademarks of Uncle Milton Industries, Inc.

MADE IN CHINA