



Train Station Scale™

ages
4+
10134

ASSEMBLING THE TRAIN STATION SCALE

PARTS NEEDED:

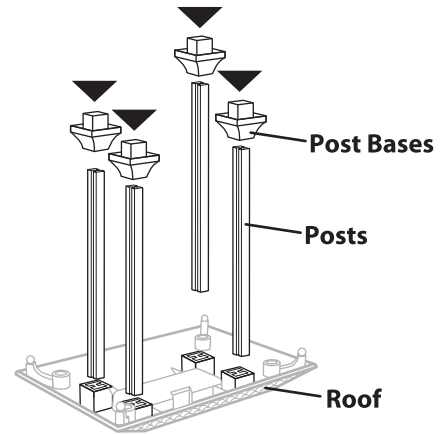
Post Bases x 4
Posts x 4
Roof
Station Platform
Upper Roof/Scale Beam
Scale Pivots x 2
Pan Hangers x 6
Weight Pans x 2

IMPORTANT:

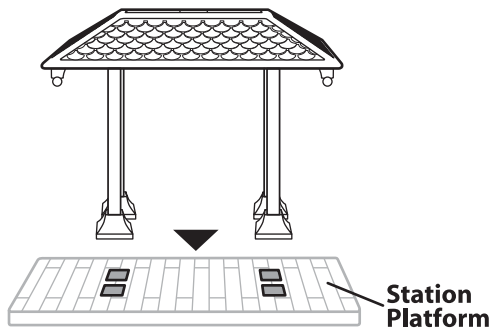
**DO NOT ASSEMBLE
THE WEIGHTS.**

Follow instructions
on reverse side.

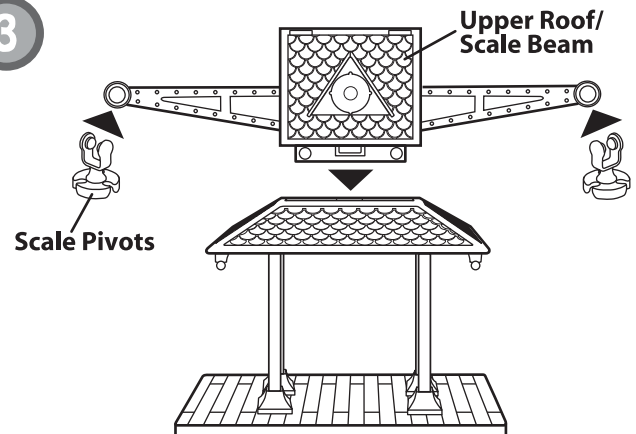
1



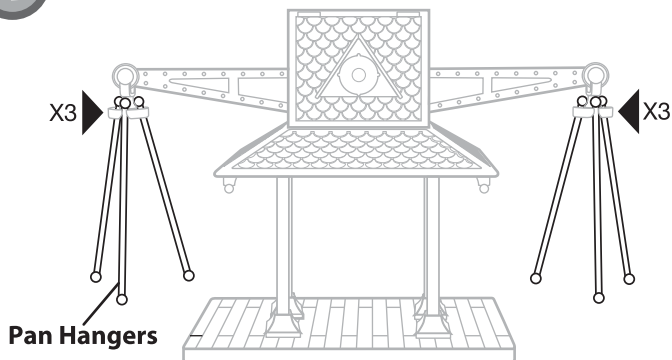
2



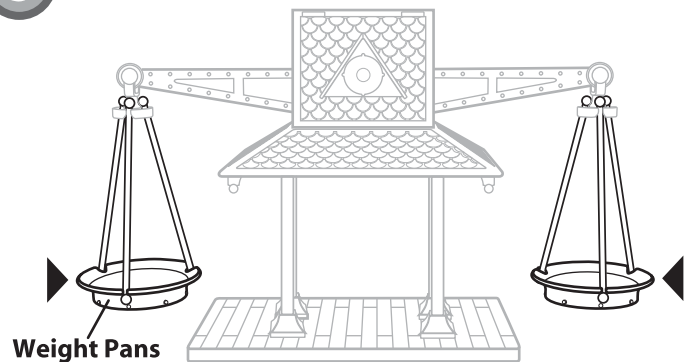
3



4



5



WARNING:
CHOKING HAZARD - Small parts.
Not for children under 3 years.



**Follow
Steps 1–5
Below!**

IMPORTANT:

Carefully follow the steps below to make sure **the weights and stickers are correctly matched.**

ASSEMBLING THE WEIGHTS NOTE: THIS STEP SHOULD BE DONE BY AN ADULT.

PARTS NEEDED:

- Weight Housings x 12
- Weight Cover Plates x 12
- Stickers
- Pennies x 30 (not included)

1 First you'll need to collect thirty pennies, all with dates from 1983 to present.

2 Locate the numbers molded on the weight housing.



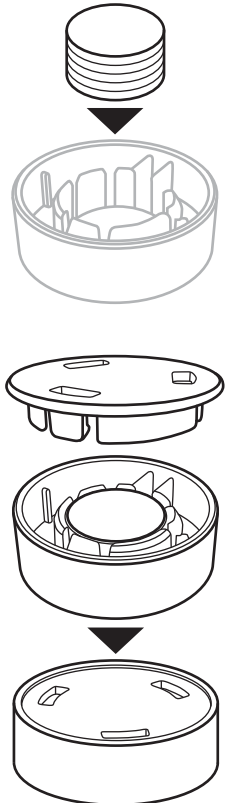
3 Refer to the chart below and insert the corresponding number of pennies into the weight. If you see a number 5, that means 5 pennies go into that weight.

	+		+		/	
	+		+		/	
	+		+		/	
	+		+		/	
	+		+		/	
	+		+		/	

4 Align weight cover plate with the weight housing as shown and press cover plate firmly to hear parts "snap" and lock together.

Do not force the cover on — please note that there is only one way it will fit.

5 Note the number molded on the weight housing and apply its corresponding sticker using the chart at left.



PLAY, WEIGH AND LEARN!

1. Weigh the dinosaur weights against the "things of today" weights.
2. Weigh different dinosaurs against each other.

Also... weigh other small objects from around the house to see which ones are heavier than others.

KEEP THESE INSTRUCTIONS FOR FUTURE REFERENCE — DO NOT DISCARD

Questions? Go to unclemilton.com



Visit unclemilton.com for more Dinosaur Train products!

© The Jim Henson Company. JIM HENSON'S mark & logo, DINOSAUR TRAIN mark & logo, characters and elements are trademarks of The Jim Henson Company. All Rights Reserved.

The PBS KIDS logo is a registered mark of PBS and is used with permission.

MANUFACTURED BY UNCLE MILTON INDUSTRIES, INC.

P.O. Box 6281
THOUSAND OAKS, CA 91359 USA

©2011 UMI. All rights reserved. ®* and TM* designate trademarks of Uncle Milton Industries, Inc.

MADE IN CHINA

10134-0250-0411-V02