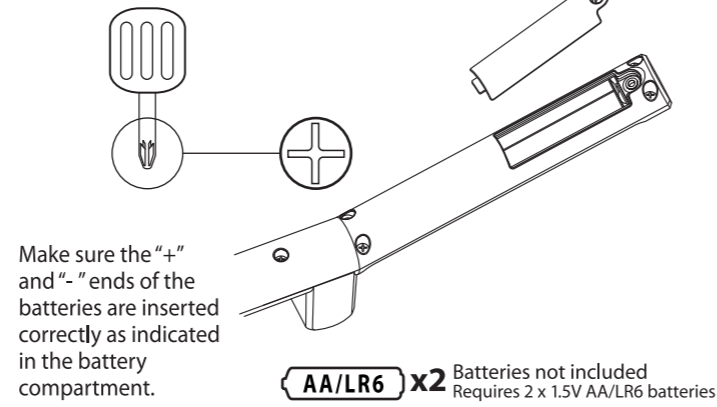




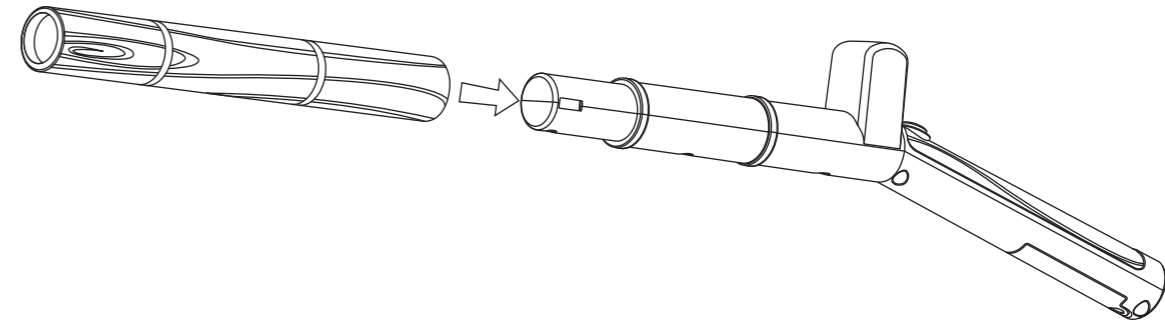
Jedi Force™ Levitator

1 INSTALL BATTERIES

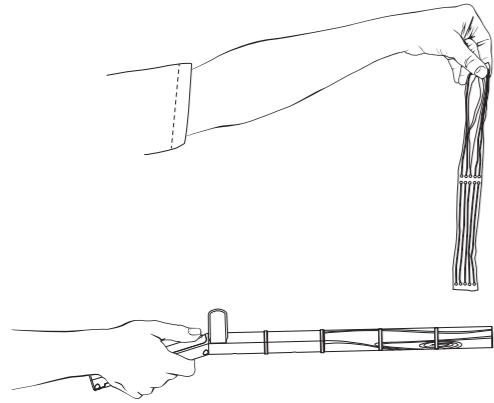


Make sure the "+" and "-" ends of the batteries are inserted correctly as indicated in the battery compartment.

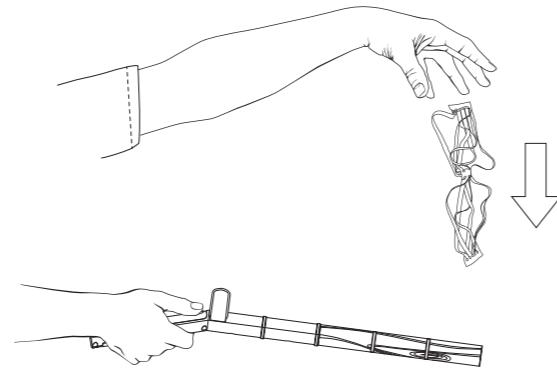
2 ASSEMBLE THE JEDI TRAINING ROD



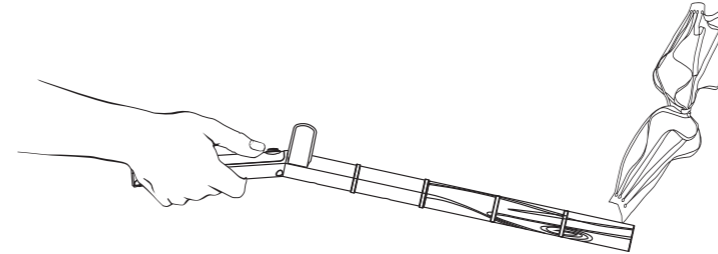
3 Hold the Force Deflector above the Training Rod while pressing its button



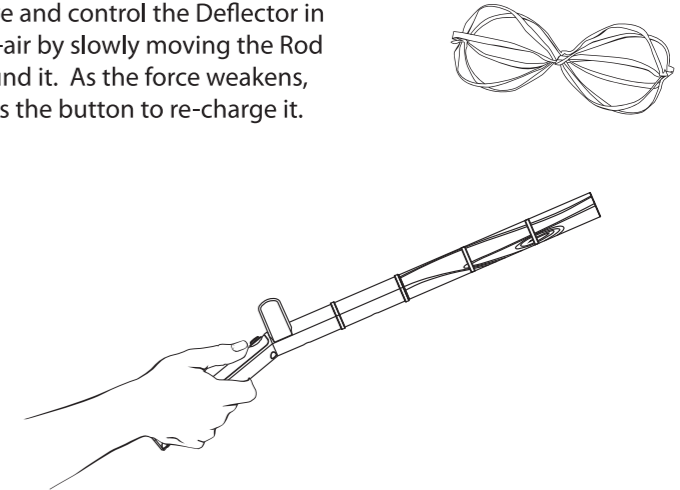
4 Release the Deflector while still pressing the button



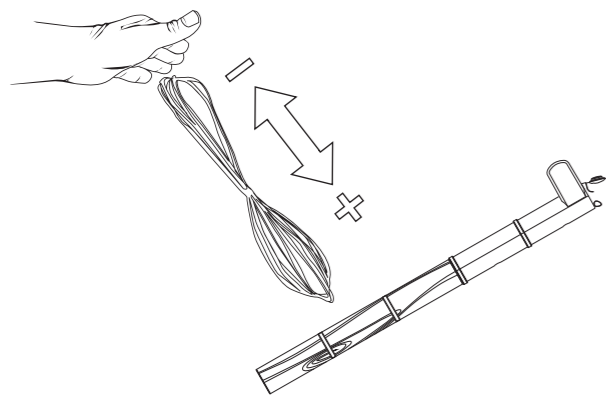
5 As the Deflector touches the Rod, release the button and gently shake the Rod up and down until the Deflector floats in mid-air



6 Move and control the Deflector in mid-air by slowly moving the Rod around it. As the force weakens, press the button to re-charge it.

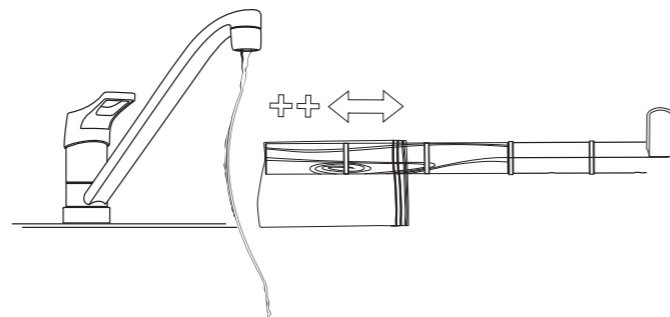


Force Push And Force Pull Using Your Hands!



Bend A Water Stream!

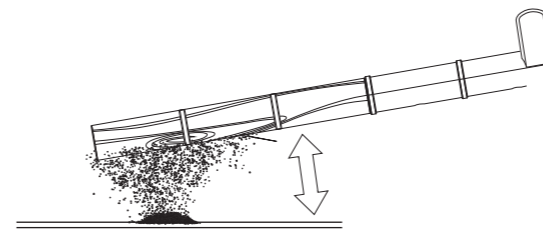
Important: Do not get the Rod wet. Place a plastic sandwich bag over the tube first.



OTHER EXPERIMENTS USING THE FORCE!

Create A Dust Storm!

Place salt on a table and watch it fly!



Force Battle With Your Friends!



© 2015 UMI. All rights reserved.
® and ™ designate U.S. trademarks of Uncle Milton Industries, Inc.
P.O. Box 6281 Thousand Oaks, CA 91359 USA.
Printed in China. Product and colors may vary.

© & ™ Lucasfilm Ltd.
All rights reserved.



This product and its batteries must be disposed of separately at your local waste recycling centre. Do not dispose them in your household waste bin.

WARNING:
CHOKING HAZARD - Small parts.
Not for children under 3 years.

KEEP THESE INSTRUCTIONS FOR FUTURE REFERENCE — DO NOT DISCARD

Questions? Visit unclemilton.com

BATTERY SAFETY INFORMATION

- Only adults should install and replace batteries.
- Non-rechargeable batteries are not to be recharged.
- Rechargeable batteries are to be removed from the toy before being charged.
- Rechargeable batteries are only to be charged under adult supervision.
- Different types of batteries or new and used batteries are not to be mixed.
- Batteries are to be inserted with the correct polarity.

- Exhausted batteries are to be removed from the toy.
- The supply terminals are not to be short-circuited.
- Do not mix old and new batteries.
- Do not mix alkaline, standard (carbon-zinc) or rechargeable (nickel-cadmium) batteries.
- Do not dispose of batteries in fire. Battery may explode or leak.
- Batteries should be recycled or disposed of as per state and local guidelines.