

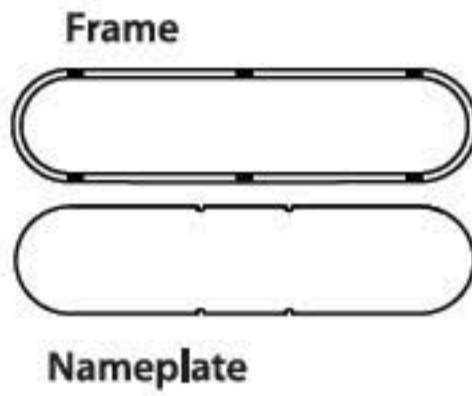


Light-up Sign Activity Kit

Instruction Manual

5+

Includes:



Nameplate



Light Pod

Letter sticker sheets



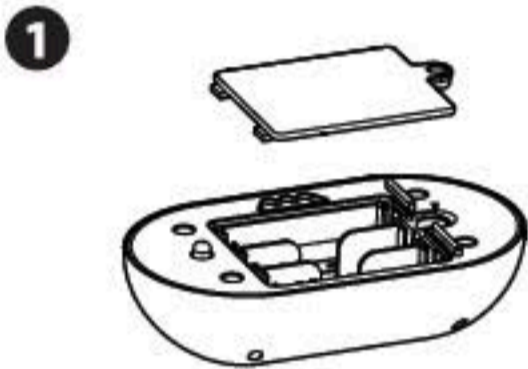
Snowflake sheet



Adhesive dots

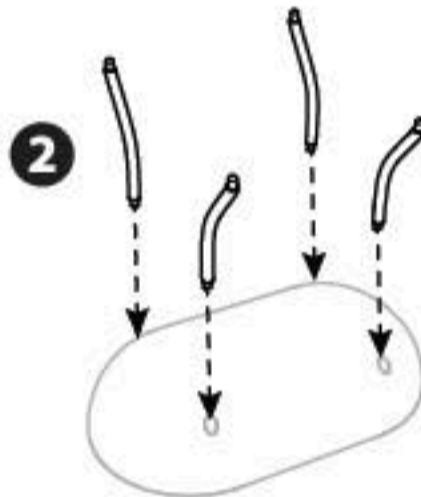


Directions:



Place 3 AA/LR6 batteries into Light Pod

AA/LR6 x3 Batteries Not included
Requires 3 x 1.5V AA/LR6 batteries



Insert Frame Supports into Light Pod



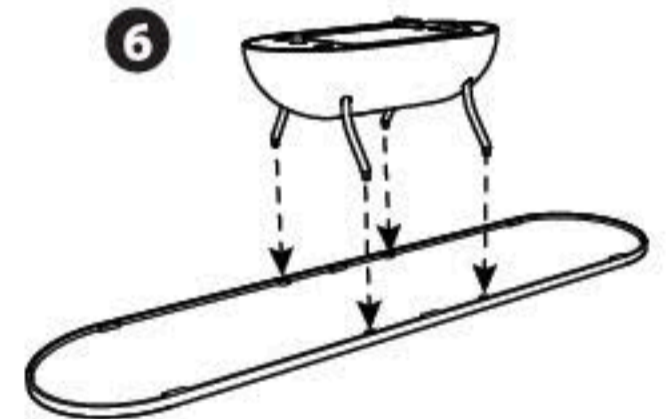
Snap Nameplate into Frame



Attach letters to your sign! Center letters of your name or word as shown above. Start from the center of your sign and move outwards



Adhere the sticker dots to the back of snowflakes and place them on your sign



Snap Frame Supports into notches on the Frame

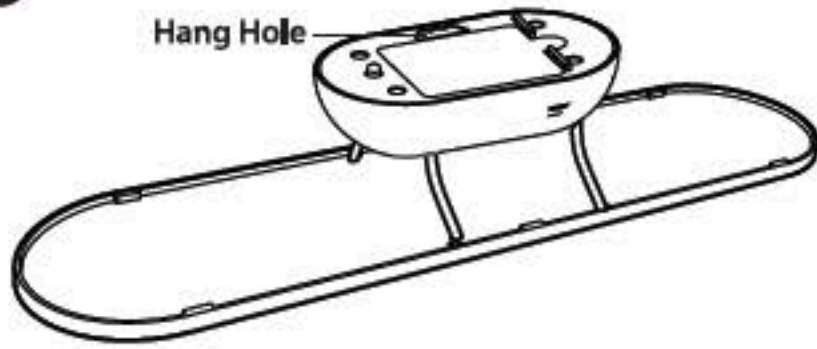
KEEP THESE INSTRUCTIONS FOR FUTURE REFERENCE — DO NOT DISCARD

Questions? Visit unclemilton.com

 **WARNING:**
CHOKING HAZARD - Small parts.
Not for children under 3 years.

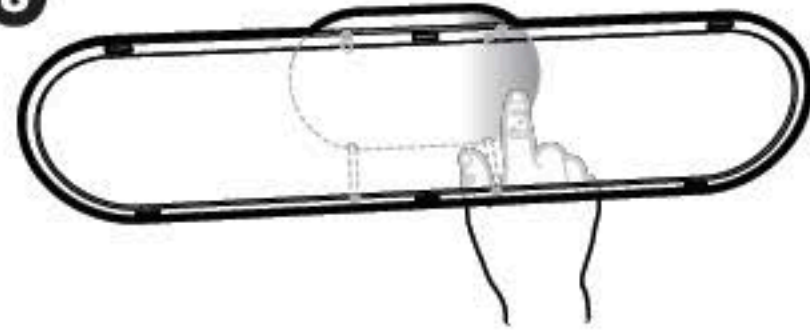
FOR BEST ILLUMINATION, USE IN A DARKENED ROOM.

7



Hang on your bedroom door or wall using the hang hole on the back

8



Press on the right side of the Light Pod to turn your sign on. To turn off, push and hold for 2 seconds. Note: To extend battery life, turn off product when not in use.

Customize it with your name, nickname, or a favorite word!



Uncle Milton

MANUFACTURED BY
UNCLE MILTON INDUSTRIES, INC.
P.O. Box 6281
THOUSAND OAKS, CA 91359 USA
©2015 UMI. All rights reserved.
® and TM designate
trademarks of Uncle Milton Industries, Inc.
MADE IN CHINA

© Disney
Visit www.Disney.com/Frozen

BATTERY SAFETY INFORMATION

- Only adults should install and replace batteries.
- Non-rechargeable batteries are not to be recharged.
- Rechargeable batteries are to be removed from the toy before being charged.
- Rechargeable batteries are only to be charged under adult supervision.
- Different types of batteries or new and used batteries are not to be mixed.
- Batteries are to be inserted with the correct polarity.
- Exhausted batteries are to be removed from the toy.
- The supply terminals are not to be short-circuited.
- Do not mix old and new batteries.
- Do not mix alkaline, standard (carbon-zinc) or rechargeable (nickel-cadmium) batteries.
- Do not dispose of batteries in fire. Battery may explode or leak.
- Batteries should be recycled or disposed of as per state and local guidelines.



This product and its batteries must be disposed of separately at your local waste recycling centre. Do not dispose them in your household waste bin.