



# T-REX Encounter

Light Up Dino Skull Replica

6+  
4120



**Batteries included**  
Requires 2 AG13/LR44 batteries

### Includes:

- 5 dinosaur skull parts
- 1 display stand
- 1 sticker for display stand

### Battery replacement

Tool required - Small Phillips head screwdriver.

- Using a Phillips head screwdriver, loosen the screw in the battery cover and remove the battery cover.
- Insert 2 AG13/LR44 batteries as indicated in the battery compartment.
- Replace battery cover and tighten screw.



### BATTERY SAFETY INFORMATION

- Non-rechargeable batteries are not to be recharged.
- Rechargeable batteries are to be removed from the toy before being charged.
- Rechargeable batteries are only to be charged under adult supervision.
- Different types of batteries or new and used batteries are not to be mixed.
- Batteries are to be inserted with the correct polarity.
- Exhausted batteries are to be removed from the toy.
- The supply terminals are not to be short-circuited.
- Do not mix old and new batteries.

- Do not mix alkaline, standard (carbon-zinc) or rechargeable (nickel-cadmium) batteries.
- Do not dispose of batteries in fire. Battery may explode or leak.

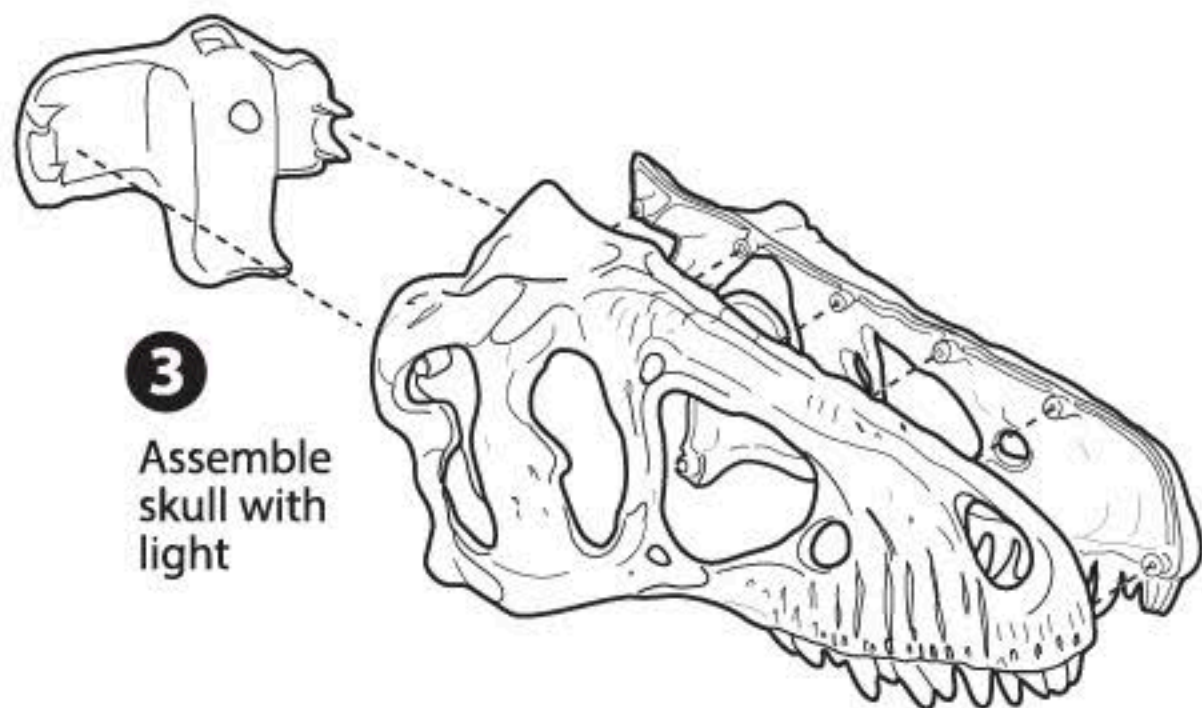
**KEEP THESE INSTRUCTIONS FOR FUTURE REFERENCE — DO NOT DISCARD**

**Questions?**  
Visit [unclemilton.com](http://unclemilton.com)

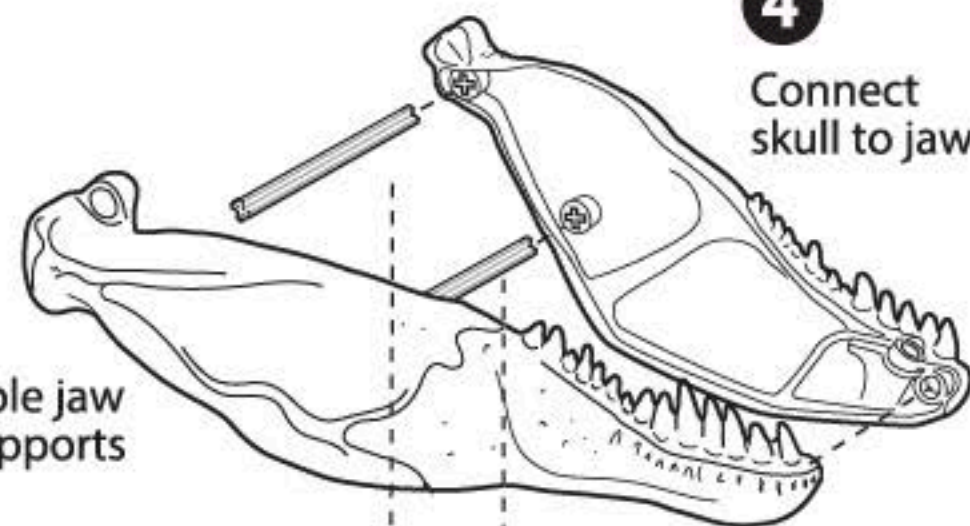


MANUFACTURED BY UNCLE MILTON INDUSTRIES, INC.  
P.O. Box 6281  
THOUSAND OAKS, CA 91359 USA  
©2014 UMI. All rights reserved. ® and TM designate trademarks of Uncle Milton Industries, Inc.  
MADE IN CHINA

4120-0250-0314-V01

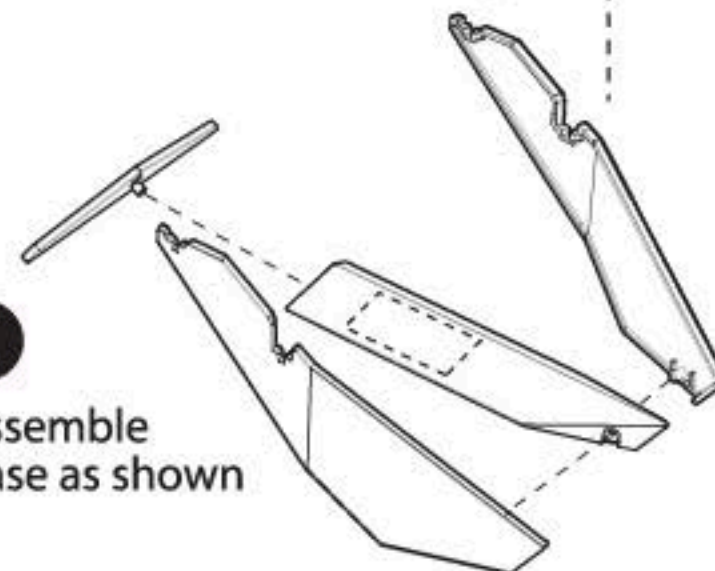


**3**  
Assemble skull with light



**4**  
Connect skull to jaw

**2**  
Assemble jaw with supports



**1**  
Assemble base as shown

**5**  
Place completed skull on base, and apply sticker to either side of the display stand