

KEEP THESE INSTRUCTIONS FOR FUTURE REFERENCE — DO NOT DISCARD

Questions? Visit unclemilton.com

Parts Included

- 1 Night Hawk Goggles
- 1 Invisible Ink Pen
- 1 Animal Tracks Stencil
- 3 Animal Profile Cards

Battery Installation

1. Using a Phillips head screwdriver, remove the battery cover as shown.
2. Insert 3 "AAA" batteries as indicated in the battery compartment and replace cover.
3. Replace the battery compartment cover. Do not over-tighten the screw.

Battery Safety Information

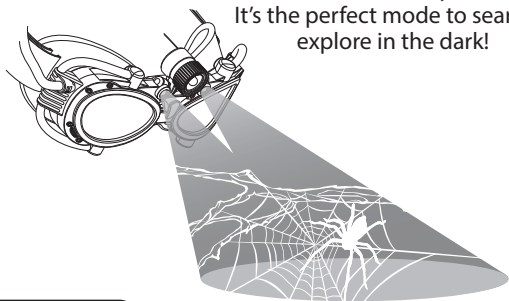
- Non-rechargeable batteries are not to be recharged.
- Rechargeable batteries are to be removed from the toy before being charged.
- Rechargeable batteries are only to be charged under adult supervision.
- Different types of batteries or new and used batteries are not to be mixed.
- Batteries are to be inserted with the correct polarity.
- Exhausted batteries are to be removed from the toy.
- The supply terminals are not to be short-circuited.
- Do not mix old and new batteries.
- Do not mix alkaline, standard (carbon-zinc) or rechargeable (nickel-cadmium) batteries.
- Do not dispose of batteries in fire. Battery may explode or leak.

CREATING YOUR NIGHTTIME ADVENTURE

Night Vision

As nighttime draws near, you can use night vision to explore while keeping your hands free. Follow trails, look for critters, and see what else you can discover.

It's the perfect mode to search and explore in the dark!



UV Vision

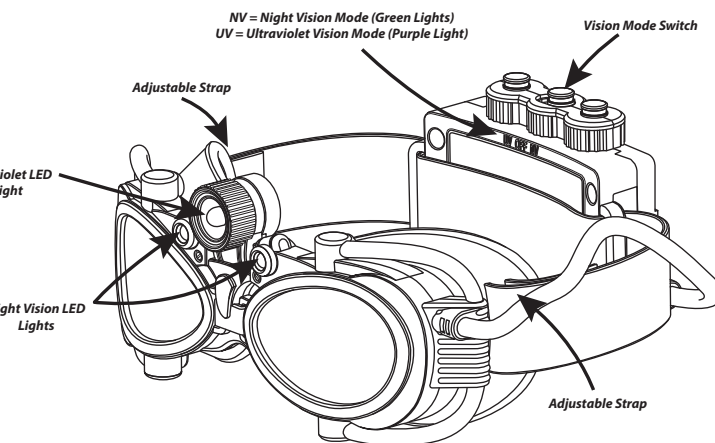
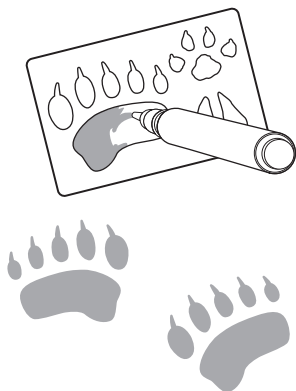
Create your own adventure using rays of ultraviolet, purple light to find animal tracks in the dark and even uncover secret messages!

1 Plan Your Path:

Determine what animal tracks you want to use and the location for your animal track path. The included stencil has tracks for a Bear, Wolf and Deer. Or, create your own animal track cut-outs for any animal you want to use in your adventure.

2 Create Your Tracks:

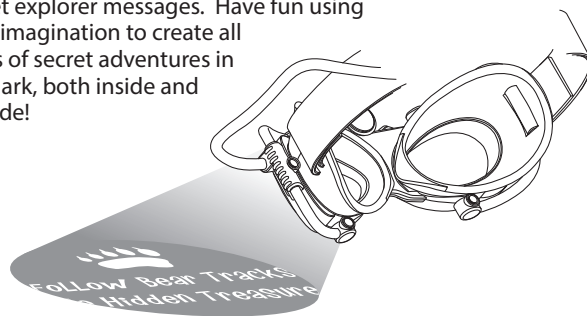
To set the animal tracks, hold the animal track stencil in place and color in each track using the invisible ink pen. For best results, apply to surfaces that are smooth, flat and porous. Place animal tracks on tree trunks, leaves, stones and rocks, fences, fallen branches, cardboard, paper or even your bedroom door!* Place tracks one in front of the other just like a real animal would do.



3 Set Your Target

Where does your path lead? A hidden animal? Another explorer? A secret message? You decide. Then, set your target in place! You can also create a path to re-trace your way back to home base.

And, don't forget to use the invisible ink pen to write secret explorer messages. Have fun using your imagination to create all kinds of secret adventures in the dark, both inside and outside!



WARNING:
CHOKING HAZARD - Small parts.
Not for children under 3 years.

The goggles are a toy. It does not provide protection.

AAA/LR03 x3 Batteries not included
Requires 3 x 1.5V AAA/LR03 batteries

MADE IN CHINA

MANUFACTURED BY UNCLE MILTON INDUSTRIES, INC.
P.O. Box 6281
THOUSAND OAKS, CA 91359 USA
©2013 UMI. All rights reserved. ® and TM designate trademarks of Uncle Milton Industries, Inc.

Parents: Experience the National Geographic Channel. Call your cable or satellite provider for availability.

Visit our website: kids.nationalgeographic.com ©2013 National Geographic Society
NATIONAL GEOGRAPHIC and Yellow Border Design are trademarks of the National Geographic Society. All rights reserved.